



Creating healthy spaces



patented technology

Algarve[®]

Enjoy the sun while being protected!



In open position: adjustable sun protection and ventilation



Sun protection



Ventilation



Waterproof blades

Extend the Summer!

This simple and practical terrace covering offers a sunprotection roof system based on rotating blades.

The extruded aluminium blades rotate up to 150° and thus enable you to decide how much sunprotection and/or ventilation you require.

When closed, the blades form a waterproof roof in normal showers. A gutter system drains the rainwater away towards the columns.

Given its elegant and light design and availability in the full range of RAL colours, the Algarve® fits in with any building style: contemporary, traditional or modern.

The Algarve® forms part of the RENSON® **Healthy Outdoor Concept**®.

The Healthy Outdoor Concept® offers comfort at 3 levels:

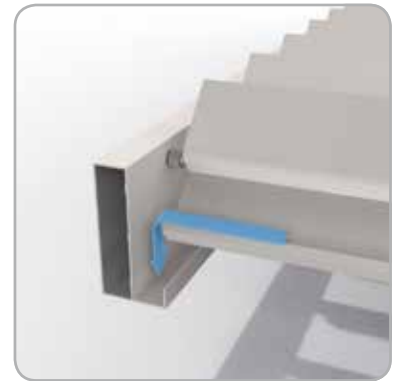
- A supply of fresh air and protection against the wind and rain ensuring **physical comfort**.
- The wind and sunprotection prevents overheating and cooling, thus ensuring **thermal comfort**.
- The front and sides can be closed off by means of mobile translucent elements, thus offering comfort as a result of **visual contact** with the environment.



In closed position: the waterproof blades offer a beautiful, even and smooth finish below

Product Benefits

- The rotating blades provide sunprotection and ensure the necessary cooling and ventilation.
- The furniture underneath the blades is also protected, even when the blades are opened up after a rain shower; the blades are designed in such a way that the water is drained sideways.
- The Algarve® includes a gutter which drains the water away from the blades into the columns.
- User-friendly
- Quiet operation
- High-quality finish
- Easy maintenance due to durable materials
- Can be combined with our Beam® fitted with Heat® and Sound®
- Possible with LED lighting integrated into the blades



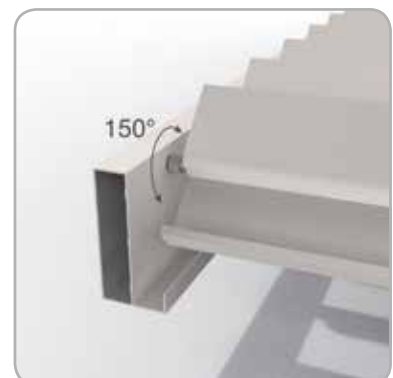
Gutter



Controlled water drainage when rotating blade is opened

Applications

- Private homes
- Business premises, e.g. catering establishments
- Building projects: rest homes, offices, schools, etc.
- Newbuild and renovation



150° rotation



Enjoy your outside space in safety!



Stand-alone (4 columns)



Fitted to an outside wall
(1 or 2 columns)



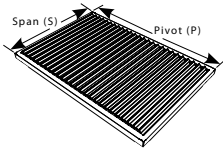
Integration: built into
an existing opening



Built onto an existing construction

Technical specifications

- Dimensions Max. S 4500 mm x P 6050 mm
Pivot (P) depending on blade pitch
Max. passage height 2800 mm
0° inclination



- Colours Available in all RAL colours Powder-coated and texture coating (60-80 micron)
- Operation Electrical control by means of Somfy® RTS transmitter
- Snow load Up to 110 kg/m² *
- Wind resistance Up to 120 km/h for closed blades
- Option: Rain- and/or wind sensor

Come and discover our Healthy Outdoor Concept®
product range on www.renson.eu

Dealer



*Cfr. Testreport 20121128: S 4000 mm X P 4000 mm
**Cfr. Testreport 20130101

RENSON® reserves the right to make technical changes to the products shown.
The latest brochures may be downloaded from www.renson.eu



RENSON® Export Department • Tel. +32 (0)56 62 71 11 • export@renson.net
RENSON® Sunprotection-Screens NV
IZ 1 Flanders Field • Kalkhoevestraat 45 • B-8790 Waregem
Tel. +32 (0)56 62 65 00 • Fax +32 (0)56 62 65 09 • export@renson.net • www.renson.eu



RENSON®
Creating healthy spaces